

TRANSPORT and LIFTING Strip anchors



Lifting Strip SPREAD Anchor HAS

The capacity loads are axial with breakage factor of safety equal to 3.

Material : St 52.3 (S355J2G3)

Finishing : Black, Zinc plated (ZP) and Hot dipped galvanized (HDG).

The capacity loads are axial with breakage factor of safety equal to x 3 the working load.

Dimensions and safe working loads at concrete strength of 25 N / mm²

Finishing : Black (SB)

Finishing : Hot Dipped Galvanised (HDG)

Finishing : Zinc Plated (ZP), on request.



TRANSPORT and LIFTING Strip anchors



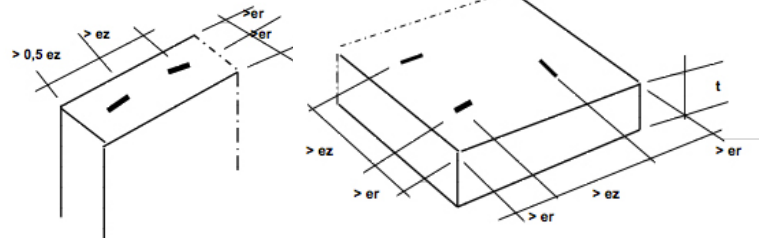
HAS-SB Black	HAS-HDG Hot Dip Galvanised	Load Group Tonnes	Axial Capacities Load Kg	Length L mm	Dimensions mm	
					A	thickness
HAS-007-110-SB	HAS-007-110-HDG	2,5	700	110	30	5
HAS-014-110-SB	HAS-014-110-HDG		1.400	110	30	6
HAS-014-160-SB	HAS-014-160-HDG		2.000	160	30	6
HAS-020-130-SB	HAS-020-130-HDG		2.000	130	30	8
HAS-020-160-SB	HAS-020-160-HDG		2.000	160	30	8
HAS-020-210-SB	HAS-020-210-HDG		2.000	210	30	8
HAS-025-150-SB	HAS-025-150-HDG		2.500	150	30	10
HAS-025-200-SB	HAS-025-200-HDG		2.500	200	30	10
HAS-025-250-SB	HAS-025-250-HDG		2.500	250	30	10
HAS-030-160-SB	HAS-030-160-HDG	5,0	3.000	160	40	10
HAS-030-200-SB	HAS-030-200-HDG		3.000	200	40	10
HAS-030-280-SB	HAS-030-280-HDG		3.000	280	40	10
HAS-040-180-SB	HAS-040-180-HDG		4.000	180	40	12
HAS-040-240-SB	HAS-040-240-HDG		4.000	240	40	12
HAS-040-320-SB	HAS-040-320-HDG		4.000	320	40	12
HAS-050-180-SB	HAS-050-180-HDG		5.000	180	40	15
HAS-050-240-SB	HAS-050-240-HDG		5.000	240	40	15
HAS-050-400-SB	HAS-050-400-HDG		5.000	400	40	15
HAS-053-220-SB	HAS-053-220-HDG	10,0	5.300	220	60	12
HAS-053-260-SB	HAS-053-260-HDG		5.300	260	60	12
HAS-053-340-SB	HAS-053-340-HDG		5.300	340	60	12
HAS-075-260-SB	HAS-075-260-HDG		7.500	260	60	16
HAS-075-300-SB	HAS-075-300-HDG		7.500	300	60	16
HAS-075-420-SB	HAS-075-420-HDG		7.500	420	60	16
HAS-100-300-SB	HAS-100-300-HDG		10.000	300	60	20
HAS-100-370-SB	HAS-100-370-HDG		10.000	370	60	20
HAS-100-520-SB	HAS-100-520-HDG		10.000	520	60	20
HAS-140-370-SB	HAS-140-370-HDG	26,0	14.000	370	80	20
HAS-140-460-SB	HAS-140-460-HDG		14.000	460	80	20
HAS-220-500-SB	HAS-220-500-HDG		22.000	500	80	26
HAS-220-620-SB	HAS-220-620-HDG		22.000	620	80	26

TRANSPORT and LIFTING Strip anchors



Load Capacity, installation dimensions, BEAMS

(*) $t = h + \text{concrete above the anchor head} + \text{concrete cover}$
 Required reinforcement for
 2 Hole Flat Lifting Anchors,
 concrete strength $> 15 \text{ N/mm}^2$



HAS	Anchor Length mm	Permitted Load Kg	min Height of the beam	min. edge distances mm		min. spacing ez between centers
				er B > 25 N/mm ²	er B > 35 N/mm ²	
HAS-007-110	110	700	200	35	35	280
HAS-014-110	110	1.400	190	40	35	380
HAS-014-160	160	1.400	290	35	35	530
HAS-020-130	130	2.000	225	55	45	450
HAS-020-160	160	2.000	285	40	35	570
HAS-020-210	210	2.000	385	35	35	770
HAS-025-150	150	2.500	260	65	50	520
HAS-025-200	200	2.500	360	45	35	720
HAS-025-250	250	2.500	460	35	35	920
HAS-030-160	160	3.000	275	75	60	550
HAS-030-200	200	3.000	350	60	45	710
HAS-030-280	280	3.000	510	40	40	1025
HAS-040-180	180	4.000	310	100	80	610
HAS-040-240	240	4.000	425	70	55	850
HAS-040-320	320	4.000	590	50	40	1175
HAS-050-180	180	5.000	300	135	110	600
HAS-050-240	240	5.000	420	95	75	840
HAS-050-400	400	5.000	740	55	45	1480
HAS-075-260	260	7.500	450	150	120	900
HAS-075-300	300	7.500	530	125	100	1060
HAS-075-420	420	7.500	770	85	70	1540
HAS-100-300	300	10.000	515	190	150	1030
HAS-100-370	370	10.000	655	150	120	1310

TRANSPORT and LIFTING Strip anchors



HAS-100-520	520	10.000	955	100	80	1910
HAS-140-370	370	14.000	615	250	200	1230
HAS-140-460	460	14.000	795	190	150	1590
HAS-220-500	500	22.000	850	320	260	1700
HAS-220-620	620	22.000	1090	250	200	2180

Load Capacity, installation dimensions, SLABS

Required reinforcement for 2 Hole Flat Lifting Anchors,
concrete strength > 15 N/mm²

HAS	Anchor Length mm	Permitted Load Kg	min thickness of slab mm	min. edge distances mm		min. spacing ez between centers
				er B > 25 N/mm ²	er B > 35 N/mm ²	
HAS-007-110	110	700	145	35	35	280
HAS-014-110	110	1.400	145	50	40	380
HAS-014-160	160	1.400	195	35	35	530
HAS-020-130	130	2.000	165	70	55	450
HAS-020-160	160	2.000	195	60	45	570
HAS-020-210	210	2.000	245	45	35	770
HAS-025-150	150	2.500	185	85	70	520
HAS-025-200	200	2.500	235	65	50	720
HAS-025-250	250	2.500	285	50	40	920
HAS-030-160	160	3.000	195	100	80	550
HAS-030-200	200	3.000	235	85	65	710
HAS-030-280	280	3.000	315	60	50	1025
HAS-040-180	180	4.000	215	135	105	610
HAS-040-240	240	4.000	275	100	80	850
HAS-040-320	320	4.000	355	75	60	1175
HAS-050-180	180	5.000	215	180	145	600
HAS-050-240	240	5.000	275	140	110	840
HAS-050-400	400	5.000	435	85	65	1480
HAS-075-260	260	7.500	300	215	175	900

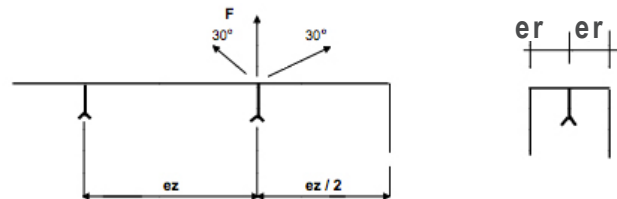
TRANSPORT and LIFTING Strip anchors



HAS-075-300	300	7.500	340	190	150	1060
HAS-075-420	420	7.500	460	135	110	1540
HAS-100-300	300	10.000	340	275	220	1030
HAS-100-370	370	10.000	410	225	180	1310
HAS-100-520	520	10.000	560	160	130	1910
HAS-140-370	370	14.000	410	335	285	1230
HAS-140-460	460	14.000	500	285	230	1590
HAS-220-500	500	22.000	540	480	385	1700
HAS-220-620	620	22.000	660	385	310	2180

Load Capacity of the anchor HAS for thin elements, installation dimensions.

Required reinforcement for
2 Hole Flat Lifting Anchors,
concrete strength $> 15 \text{ N/mm}^2$



HAS black	Load Group Tonnes	Anchor Length L mm	Spacing (ez) mm between Anchors	min. thickness mm		Pull (Kg) $F < 30^\circ$	Angled Pull (Kg) $F > 30^\circ$
				$> 15 \text{ N/mm}^2$ (2 x er)	$> 25 \text{ N/mm}^2$ (2 x er)		
HAS-007-110	2,5	110	330	60	60	700	600
HAS-014-110		110	330	75	60	1.400	1.100
HAS-014-160		160	480	75	60	1.400	1100
HAS-020-130		130	390	100	80	2.000	1.600
HAS-020-160		160	480	100	80	2.000	1.600
HAS-020-210		210	630	100	80	2.000	1.600
HAS-025-150		150	450	120	90	2.500	2.000
HAS-025-200		200	600	120	90	2.500	2.000
HAS-025-250		250	750	120	90	2.500	2.000
HAS-030-160		5,0	160	480	160	90	3.000
HAS-030-200	200		600	120	90	3.000	2.400
HAS-030-280	280		840	120	90	3.000	2.400
HAS-040-180	180		540	210	130	4.000	3.200
HAS-040-240	240		720	150	115	4.000	3.200

TRANSPORT and LIFTING Strip anchors

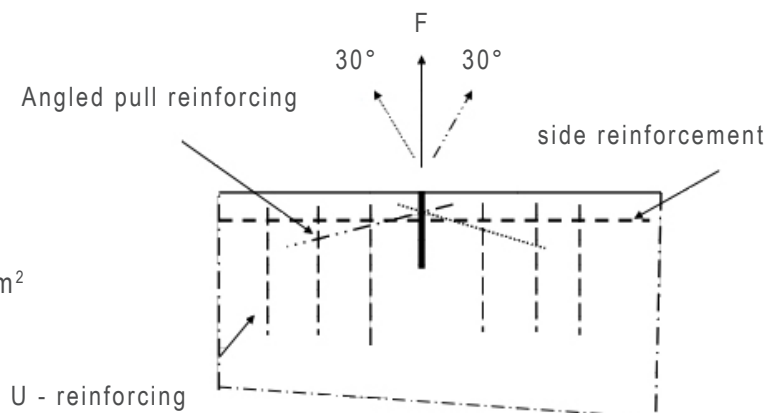


HAS-040-240		240	720	150	115	4.000	3.200
HAS-040-320		320	960	150	115	4.000	3.200
HAS-050-180		180	540	350	210	5.000	4.000
HAS-050-240		240	720	180	140	5.000	4.000
HAS-050-400		400	1200	180	140	5.000	4.000
HAS-053-220		220	660	180	140	5.300	4.200
HAS-053-260		260	780	160	130	5.300	4.200
HAS-053-340		300	900	140	100	5.300	4.200
HAS-075-260		260	780	340	200	7.500	6.000
HAS-075-300	10,0	300	900	240	150	7.500	6.000
HAS-075-420		420	1260	195	150	7.500	6.000
HAS-100-300		300	900	450	270	10.000	8.000
HAS-100-370		370	1110	270	190	10.000	8.000
HAS-100-520		520	1560	245	190	10.000	8.000
HAS-140-370		370	1110	610	360	14.000	11.200
HAS-140-460		460	1380	350	210	14.000	11.200
HAS-220-500	26,0	500	1500	760	460	22.000	17.600
HAS-220-620		620	1860	450	270	22.000	17.600

Required reinforcement of the anchor HAS for thin elements.

Pull ($< 30^\circ$)

Required reinforcement for 2 Hole Flat Lifting Anchors, concrete strength $> 15 \text{ N/mm}^2$



TRANSPORT and LIFTING Strip anchors

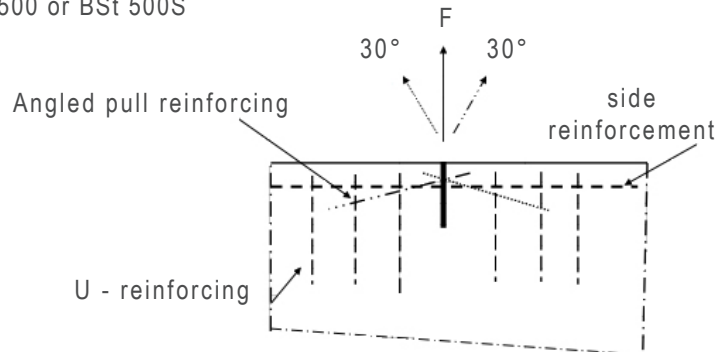


Designation HAS	Load Group Tonnes	Mesh reinf. Q both sides	Side Reinforcement	U-reinforcing n x d x length mm
HAS-007	2,5	Q 131	constructive	
HAS-014		Q 131	constructive	2 x d.6 x 400
HAS-020		Q 131	constructive	2 x d.6 x 500
HAS-025		Q 131	constructive	2 x d.8 x 600
HAS-030	5,0	Q 131	constructive	2 x d.8 x 700
HAS-040		Q 131	constructive	2 x d.8 x 800
HAS-050		Q 131	constructive	2 x d.10 x 800
HAS-053	10,0	Q 131	constructive	2 x d.10 x 800
HAS-075		Q 188	diam. 10	4 x d.10 x 800
HAS-100		Q 188	diam. 12	6 x d.10 x 1000
HAS-140	26,0	Q 257	diam. 14	6 x d.10 x 1000
HAS-220		Q 257	diam. 14	8 x d.12 x 1200

(*) reinforcement : Steel rebar Feb 500 or BSt 500S

Angled Pull (> 30°)

Required reinforcement for 2 Hole Flat Lifting Anchors, concrete strength > 15 N/mm²



Designation HAS	Load Group Tonnes	Mesh reinf. Q both sides	Side diam. Reinf.	U-reinforcing n x d x length mm	Angled pull reinforcing n x d x length mm
HAS-007	2,5	Q 131	8 mm	4 x d.6 x 300	6 x 450
HAS-014		Q 131	8 mm	4 x d.6 x 400	6 x 900
HAS-020		Q 131	8 mm	4 x d.6 x 500	8 x 950
HAS-025		Q 131	10 mm	4 x d.8 x 600	8 x 1200
HAS-030	5,0	Q 131	10 mm	4 x d.8 x 700	10 x 1150
HAS-040		Q 131	12 mm	4 x d.8 x 800	10 x 1500
HAS-050		Q 131	12 mm	4 x d.10 x 800	12 x 1550

TRANSPORT and LIFTING Strip anchors

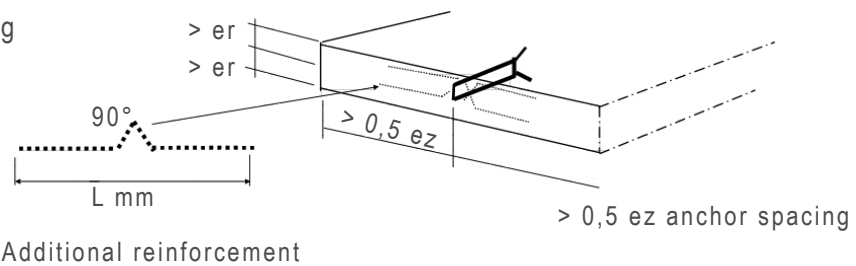


HAS-053	10,0	Q 131	12 mm	4 x d.10 x 800	12 x 1650
HAS-075		Q 188	12 mm	4 x d.10 x 800	14 x 2000
HAS-100		Q 188	14 mm	6 x d.10 x 1000	16 x 2300
HAS-140	26,0	Q 257	14 mm	8 x d.10 x 1000	20 x 2600

(*) reinforcement : Steel rebar Feb 500 or BSt 500S

Required reinforcement and edge distance of the anchor HAS.

Required reinforcement
for 2 Hole Flat Lifting
Anchors, concrete
strength > 15 N/mm²



HAS	Load Group Tonnes	Min. thickness (er) and anchor spacing between anchors (ez)		Additional reinforcement		Pull		Angled Pull	
		er (mm)	ez (mm)	diam. mm	L mm	Kg ↑	Kg ↗ ↘	Kg ↗ ↘	
HAS-007	2,5	100	700	8	600	700	350	560	
HAS-014		100	700	10	700	1400	700	1120	
HAS-020		100	800	10	750	2000	1000	1600	
HAS-025		100	875	12	800	2500	1250	2000	
HAS-030	5,0	150	950	12	850	3000	1500	2400	
HAS-040		150	1050	14	950	4000	2000	3200	
HAS-050		150	1435	16	1000	5000	2500	4000	
HAS-053	10,0	200	1200	16	1000	5300	2650	4240	
HAS-075		250	1470	20	1200	7500	3750	6000	
HAS-100		300	1820	20	1500	10000	5000	6000	
HAS-140	26,0	525	1800	25	1800	14000	7000	11200	
HAS-220		710	2200	28	1800	22000	11000	17600	