

TRANSPORT and LIFTING Strip anchors

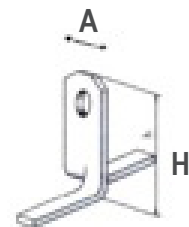


Flat Foot Lifting anchor HAV

Material : St 52.3 (S355J2G3) The capacity loads are axial with breakage factor of safety equal to 3. A rebar must be passed through the cross hole to transfer the load into the concrete.

Dimensions and safe working loads at concrete strength of 15 N/mm²

Finishing : Black (SB)
 Finishing : Hot Dipped Galvanised (HDG)
 Finishing : Zinc Plated (ZP), on request.

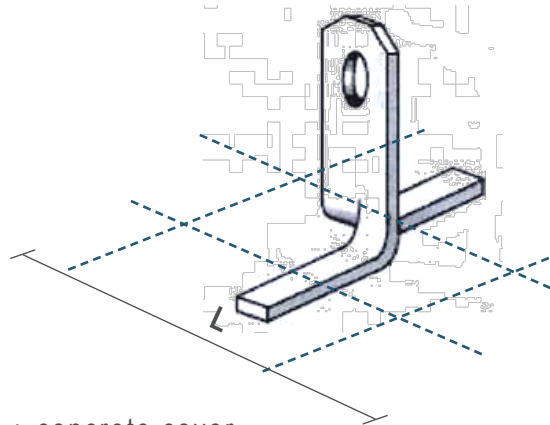
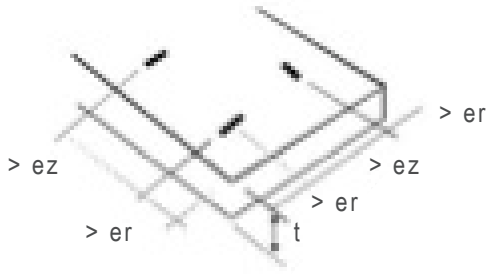


HAV - SB	HAV - HDG	Load Group Tonnes	Axial Capacities Load Kg	Length H mm	Dimensions mm	
					A	thick-ness
HAV-007-065-SB	HAV-007-065-HDG	2,5	700	65	30	5
HAV-014-065-SB	HAV-014-065-HDG	2,5	1.400	65	30	6
HAV-020-070-SB	HAV-020-070-HDG	2,5	2.000	70	30	8
HAV-025-075-SB	HAV-025-075-HDG	2,5	2.500	75	30	10
HAV-030-090-SB	HAV-030-090-HDG	5,0	3.000	90	40	10
HAV-050-125-SB	HAV-050-125-HDG	5,0	5.000	125	40	15
HAV-075-170-SB	HAV-075-170-HDG	10,0	7.500	170	60	16
HAV-100-200-SB	HAV-100-200-HDG	10,0	10.000	200	60	20
HAV-125-200-SB	HAV-125-200-HDG	26,0	12.500	200	80	16
HAV-170-200-SB	HAV-170-200-HDG	26,0	17.000	200	80	20
HAV-170-270-SB	HAV-170-270-HDG	26,0	17.000	270	80	20
HAV-220-310-SB	HAV-220-310-HDG	26,0	22.000	310	90	28

TRANSPORT and LIFTING Strip anchors



Required reinforcement and edge distance of the anchor HAV.



(*) $t = h + \text{concrete above the anchor head} + \text{concrete cover}$

Required reinforcement for 2 Hole Anchors, concrete $> 15 \text{ N/mm}^2$

HAV	Load Group Tonnes	Length h mm	Anchor distance > ez	Corner distance > er	min. thickness t mm(*)	rebar Feb 500		lifting axial Kg
						diam. mm	L mm	
HAV-007-065	2,5	65	280	140	80	8	200	700
HAV-014-065	2,5	65	280	140	80	8	250	1400
HAV-020-070	2,5	70	300	150	90	8	300	1800
HAV-025-075	2,5	75	320	160	100	8	300	2000
HAV-030-090	5,0	90	380	190	120	10	400	2800
HAV-050-125	5,0	125	520	260	160	12	500	4400
HAV-075-170	10,0	170	680	340	215	14	600	5480
HAV-100-200	10,0	200	800	400	245	14	600	7550