

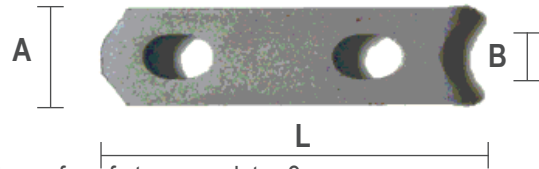
TRANSPORT and LIFTING Strip anchors



Lifting Strip FLAT Anchor HAF

Two hole flat lifting strip anchor HAF.

Material : St 52.3 (S355J2G3)



The capacity loads are axial with breakage factor of safety equal to 3.

Finishing : Black, Zinc plated (ZP) and Hot dipped galvanized (HDG).

The capacity loads are axial with breakage factor of safety equal to x 3 the working load. A rebar must be passed through the cross hole to transfer the load into the concrete.

Finishing : Black (SB)

Finishing : Hot Dipped Galvanized (HDG)

Finishing : Zinc Plated (ZP), on request.

Dimensions and safe working loads at concrete strength of $>15 \text{ N / mm}^2$

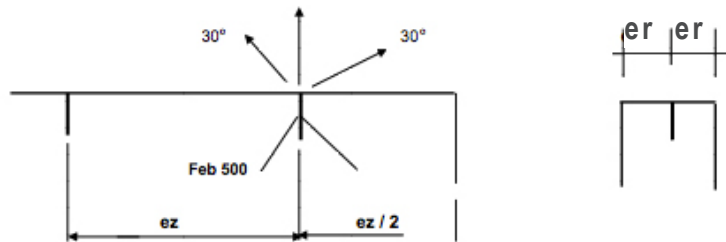
HAF-SB Black	HAF-HDG Hot Dip Galvanised	Load Group Tonnes	Axial Capacities Load Kg	Length L mm	Dimensions mm	
					A - B	thickness C
HAF-007-090-SB	HAF-007-090-HDG	2,5	700	90	30 - 14	5
HAF-014-090-SB	HAF-014-090-HDG		1.400	90	30 - 14	6
HAF-020-090-SB	HAF-020-090-HDG		2.000	90	30 - 14	8
HAF-025-090-SB	HAF-025-090-HDG		2.500	90	30 - 14	10
HAF-030-120-SB	HAF-030-120-HDG	5,0	3.000	120	40 - 18	10
HAF-040-120-SB	HAF-040-120-HDG		4.000	120	40 - 18	12
HAF-050-120-SB	HAF-050-120-HDG		5.000	120	40 - 18	15
HAF-053-160-SB	HAF-053-160-HDG	10,0	5.300	160	60 - 26	12
HAF-075-160-SB	HAF-075-160-HDG		7.500	160	60 - 26	16
HAF-100-170-SB	HAF-100-170-HDG		10.000	170	60 - 30	20
HAF-125-240-SB	HAF-125-240-HDG	26,0	12.500	240	80 - 35	20
HAF-140-240-SB	HAF-140-240-HDG		14.000	240	80 - 35	20
HAF-170-240-SB	HAF-170-240-HDG		17.000	240	80 - 35	26
HAF-220-240-SB	HAF-220-240-HDG		22.000	300	80 - 35	26
HAF-220-300-SB	HAF-220-300-HDG		22.000	300	90 - 35	30
HAF-260-300-SB	HAF-260-300-HDG		26.000	300	120 - 65	30

TRANSPORT and LIFTING Strip anchors



Load Capacity, installation dimensions of the anchor HAF

Required reinforcement for
2 Hole Flat Lifting Anchors,
concrete strength > 15 N/mm

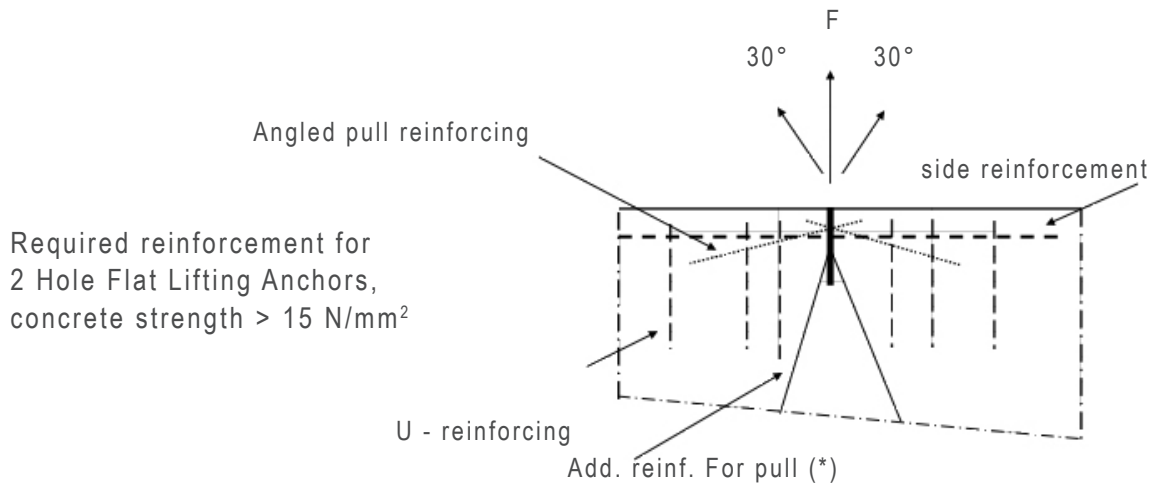


Designation HAF	Load Group Tonnes	Anchor Length mm	Spacing (ez) betw. Anchors	min. tickness (2 x er) unit	Pull (Kg) F < 30°	Angled Pull (Kg) F > 30°
HAF-014-090	2,5	90	500	80	1.400	1.120
HAF-020-090		90	600	90	2.000	1.600
HAF-025-090		90	600	100	2.500	2.000
HAF-030-120	5,0	120	650	100	3.000	2.400
HAF-040-120		120	700	110	4.000	3.200
HAF-050-120		120	750	120	5.000	4.000
HAF-075-160	10,0	160	1200	130	7.500	6.000
HAF-100-170		165	1200	140	10.000	8.000
HAF-140-240	26,0	240	1500	160	14.000	11.200
HAF-220-300		300	1500	180	22.000	17.600
HAF-260-300		300	1500	200	26.000	20.800

TRANSPORT and LIFTING Strip anchors



Pull ($< 30^\circ$)



HAF	Load Group Tonnes	Add. reinf. (*) for pull d x l mm	Mesh reinf. Q both sides	Side Reinforcement	U-reinforcing n x d x length mm
HAF-014	2,5	1x diam. 10 x 650	Q 131	constructive	2 x d.6 x 400 mm
HAF-020		1x diam. 12 x 800	Q 131	constructive	2 x d.6 x 500 mm
HAF-025		1x diam. 12 x 1000	Q 131	constructive	2 x d.8 x 600 mm
HAF-030	5,0	1x diam. 14 x 1000	Q 131	constructive	2 x d.8 x 700 mm
HAF-040		1x diam. 16 x 1200	Q 131	constructive	2 x d.8 x 700 mm
HAF-050		1x diam. 16 x 1500	Q 131	constructive	2 x d.8 x 800 mm
HAF-075	10,0	1x diam. 20 x 1750	Q 131	diam 10	2 x d.10 x 800 mm
HAF-100		1x diam. 25 x 1850	Q 131	diam 12	4 x d.10 x 800 mm
HAF-140	26,0	1x diam. 28 x 2350	Q 131	diam 14	4 x d.10 x 1000 mm
HAF-220		1x diam. 28 x 3000	Q 131	diam 14	4 x d.12 x 1200 mm
HAF-260		1x diam. 28 x 3050	Q 131	diam 14	6 x d.12 x 1200 mm

TRANSPORT and LIFTING Strip anchors



Angled Pull (> 30°)

Required reinforcement for 2 Hole Flat Lifting Anchors,
concrete strength > 15 N/mm²

Designation HAF	Load Group Tonnes	Add. reinf. (*) for pull d x l mm	Mesh reinf. Q both sides	Side Rein- force- ment	U-reinforcing n x d x length mm	Angled pull reinforcing n x d x length mm
HAF-014	2,5	1x diam. 10 x 650	Q 131	8	4 x d.6 x 400	6 x 900
HAF-020		1x diam. 12 x 800	Q 131	8	4 x d.6 x 500	8 x 950
HAF-025		1x diam. 12 x 1000	Q 131	10	4 x d.8 x 600	8 x 1200
HAF-030	5,0	1x diam. 14 x 1000	Q 131	10	4 x d.8 x 700	10 x 1150
HAF-040		1x diam. 16 x 1200	Q 131	12	4 x d.8 x 700	10 x 1500
HAF-050		1x diam. 16 x 1500	Q 131	12	4 x d.10 x 800	12 x 1550
HAF-075	10,0	1x diam. 20 x 1750	Q 131	12	4 x d.10 x 800	14 x 2000
HAF-100		1x diam. 25 x 1850	Q 131	14	6 x d.10 x 800	16 x 2300
HAF-140	26,0	1x diam. 28 x 2350	Q 131	14	8 x d.10 x 1000	20 x 2600
HAF-220		1x diam. 28 x 3000	Q 131	16	8 x d.10 x 1200	25 x 3000
HAF-260		1x diam. 28 x 3050	Q 131	16	8 x d.12 x 1200	28 x 3450

(*) reinforcement : Steel rebar Feb 500 or BSt 500S